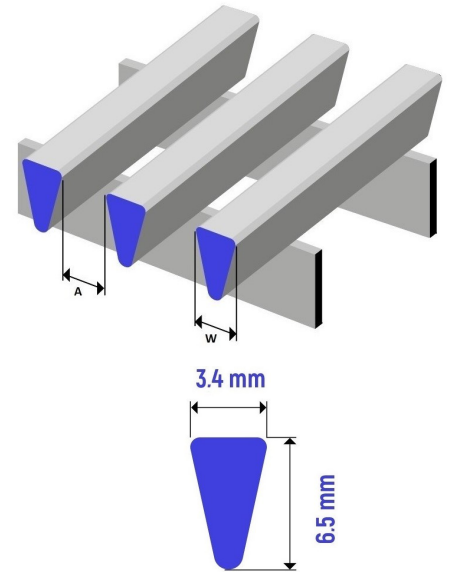


## Elios Architectural Wedge Wire



### Specification

<b>Wedge Wire Material</b>	Stainless Steel or *Pro-ZINAL® Coated Mild Steel
<b>Wedge Wire Profile (w x h)</b>	3.4 x 6.5 mm
<b>Aperture (A)</b>	From 2 mm to 50 mm
<b>Support Rods</b>	Dimensions and pitch to suit load
<b>Framing</b>	As required for application
<b>Finish</b>	Bare metal or Powder Coat (specify RAL No. for colour)

Please note: The above information is a guide to the wide range of options available. Contact our sales team for help in selecting the correct product for your application.

\*Pro-ZINAL® is a metallic coating of Zinc and Aluminium alloy, which is used to protect traditional Carbon steel. It ensures durability and a high resistance to corrosion, even in welded areas.

Elios wedge wire grill is a Progress Architecture product, supplied and distributed in the UK and Ireland by Locker Architectural.

Locker is a UK based supplier of architectural wire mesh products certified to BS EN ISO 9001:2015. With comprehensive in house 3D design facilities we are able to offer a complete package from development of the architectural wire mesh specification through design, fabrication, supply and installation of the finished screens.

